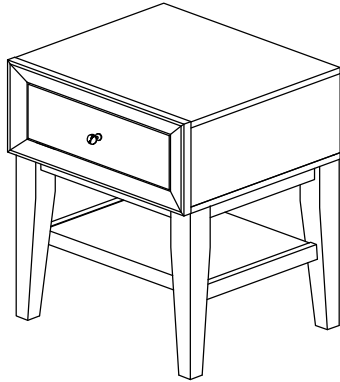
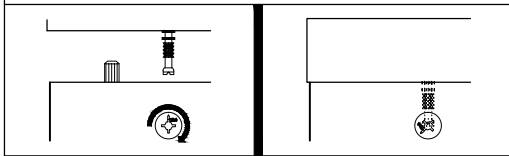


# Assembly Instruction

Model : ST - 007

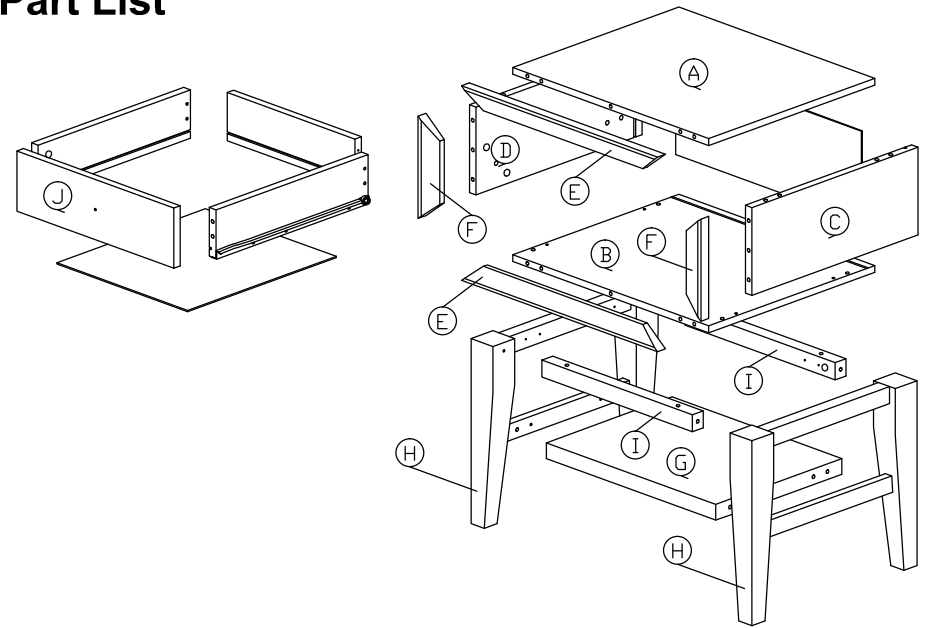


**Dowel / Cam - Lock Installation**



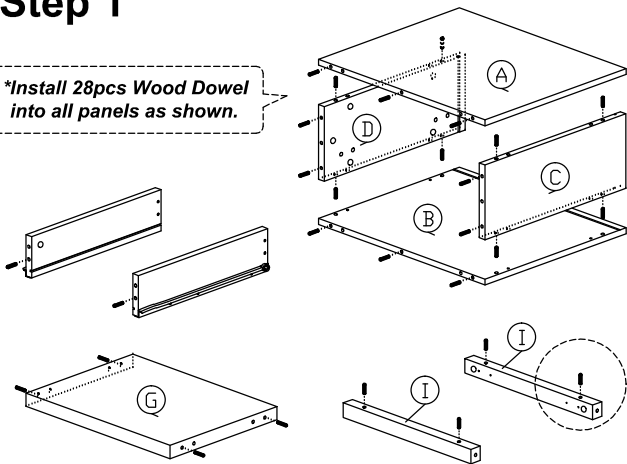
<i>Hardware List</i>			
No.	SHAPE	DESCRIPTION	Qty.
1		<b>8x25mm Wood Dowel</b>	28Pcs
2		<b>M3.5x16mm Screw</b>	38Pcs
3		<b>M4x38mm Screw</b>	4Pcs
4		<b>15MM Titus Mini Fix</b>	24Sets
5		<b>15mm Minifix Cap</b>	2Pcs
6		<b>Drawer Slide 14" (350mm)</b>	1Set
7		<b>PVC Drawer Pin</b>	4Pcs
8		<b>Handle ( 2293 ) M4x20mm Handle Screw</b>	1Set
9		<b>Nail Leg</b>	4Pcs
10		<b>Z Bracket</b>	2Pcs
11		<b>L Bracket</b>	4Pcs
12		<b>Corner Bracket</b>	4Pcs

Part List



**Step 1**

*\*Install 28pcs Wood Dowel into all panels as shown.*



**Step 2**

*\*Attach 10pcs Minifix bolt to panels as shown.*

